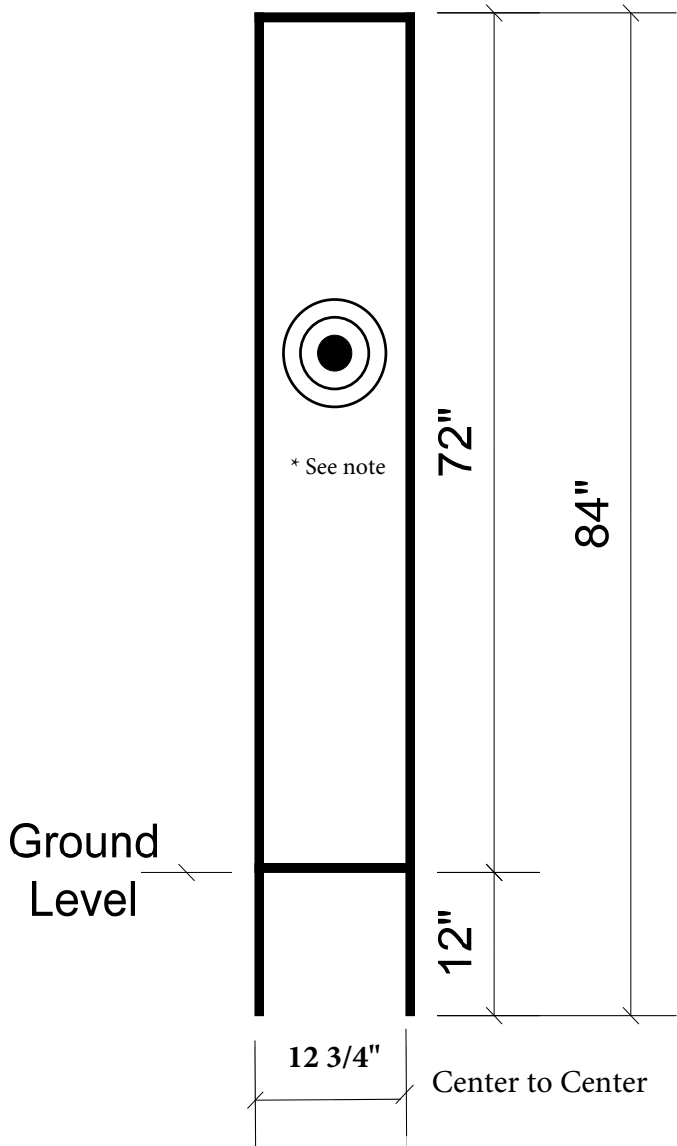


Target Frame Information

100 and 200 Yard Ranges

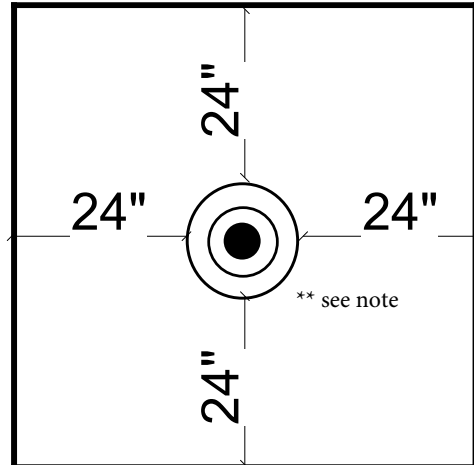
Sample Frame Design
Made from 1"x 2" wood



* Aiming point height dependent on frame location on range and shooters position.

updated 12-31-2015

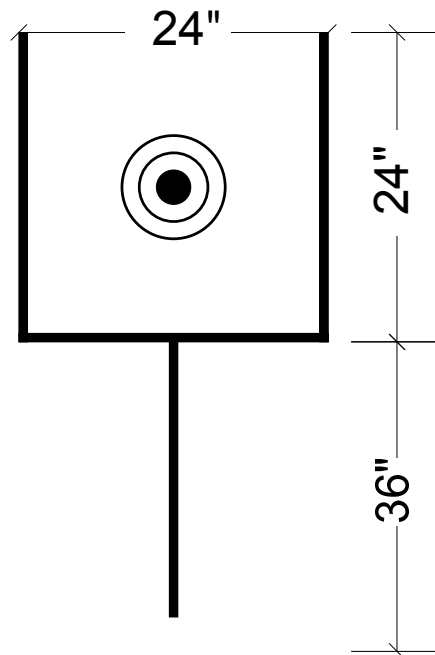
200 Yard Range Target Carriage Configuration for AGC Target Frames



** Multiple aiming point targets shall be mounted with the aiming point(s) no closer than 12" from the frame side members

50 Yard Range Metal AGC Owned Target Frame (For 25 and 50 Yards Only)

Single Centered Aiming Point Only

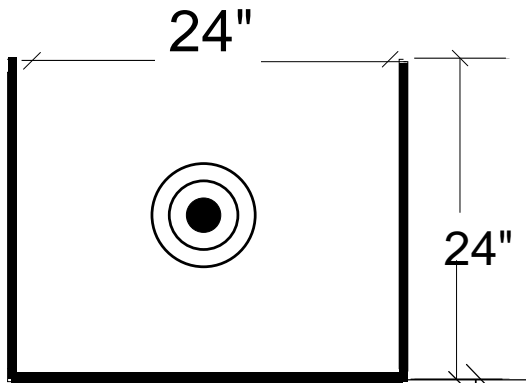


Target Frame Information

50 Yard Pistol Range

PVC AGC Target Frame (For 7 - 15 Yards)

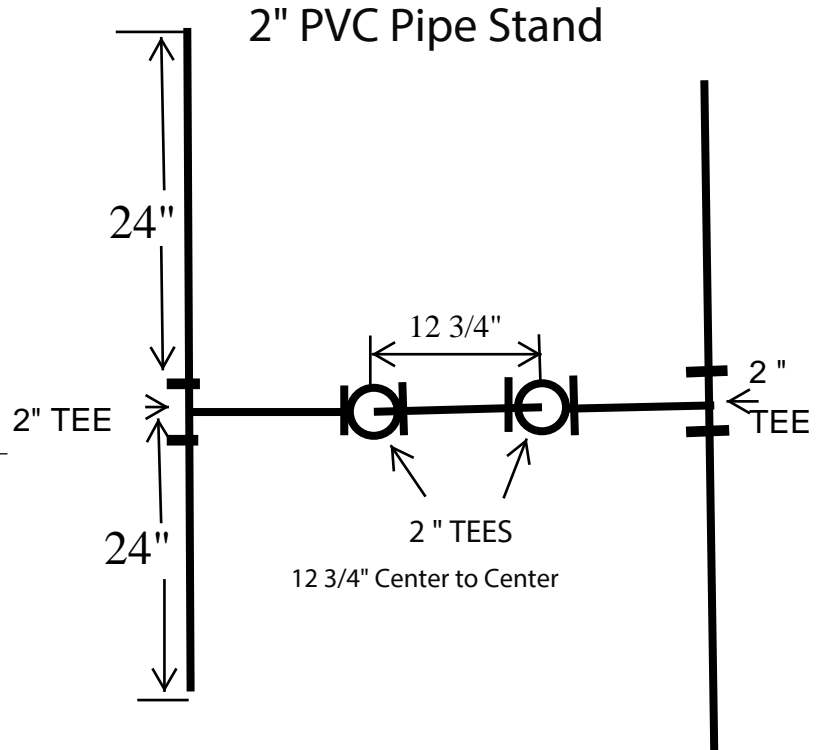
Single Centered Aiming Point Only
When Using AGC Owned Frame



All material for frame
is 1" x 2" wood

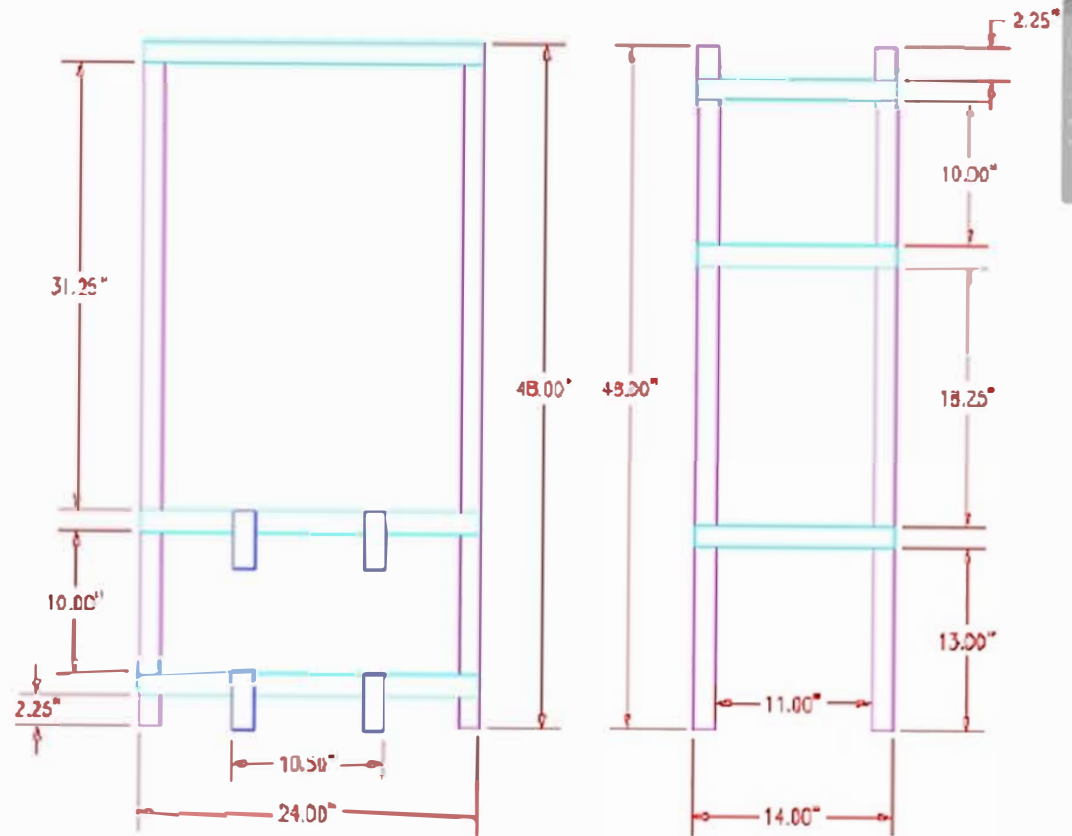
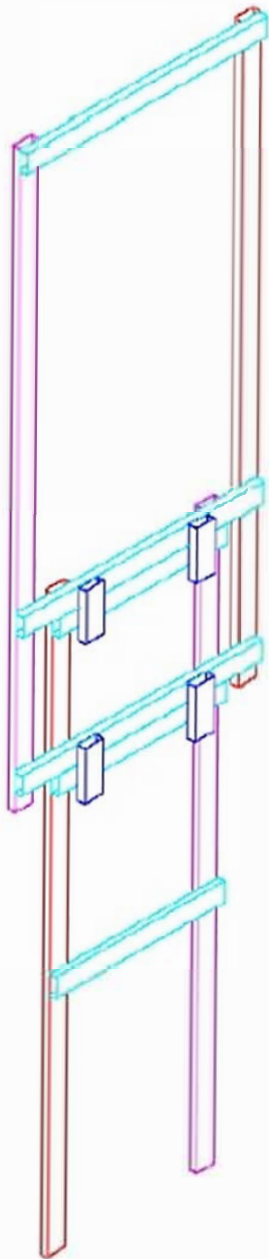
65" to 70"
*** See note

Ground
Level



NOTE: PISTOL AND RIFLE RANGES -
The shooter must ensure proper target height such that fired rounds do not strike the ground anywhere between the firing line and the Impact Area. The Impact Area is the exposed earthen bank just beyond the maximum target distance of the range being utilized.

*** Height dependent on location on pistol range.



QTY. 4 @ 1x2x48"



QTY. 3 @ 1x2x14"



QTY. 3 @ 1x2x24"



QTY. 4 @ 1x2x4"

